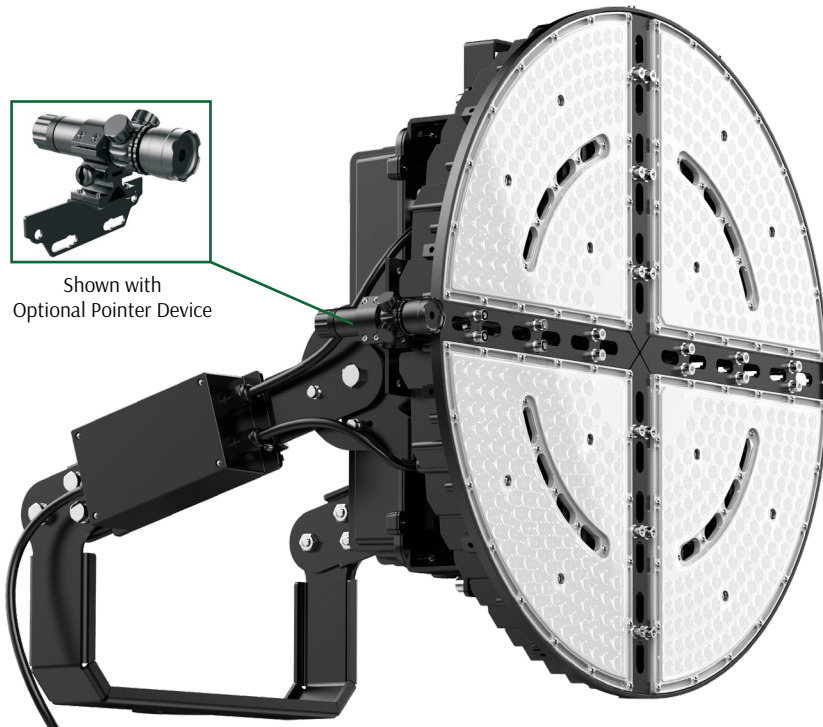


SFX



Shown with
Optional Pointer Device



TECHNICAL SPECIFICATIONS:

- :: Housing: Die-cast aluminum housing with powder coat finish (Black)
- :: Voltage: 120-277V AC
- :: Cord type: 3' SJTW 18/3 AWG cable
- :: Power Factor: .9~.97
- :: Operating Temp: -40°F to 176°F
- :: Up to 160 lumens per watt
- :: CRI: >84
- :: Philips Lumileds Luxeon 5050
- :: Beam Angle: 30°
- :: 15KV Surge Protector Included
- :: 70,000 hour rated life
- :: 7-year warranty
- :: Suitable for Wet Locations, IP65

APPLICATIONS:

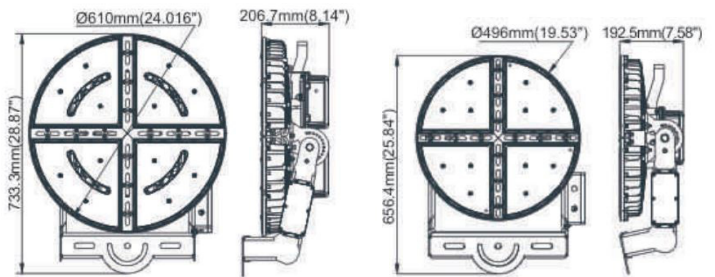
- :: Stadium lighting, Sports fields, parking lots, docks, railway and container yards, Architectural lighting, Industrial and commercial exterior lighting, tradeshows, exhibitions.



Shown with Optional Shroud &
Slip Fitter



Shown with Optional Shroud &
Rotatable Base



SFX-G5-1000W

SFX-G5-600W

LED STADIUM FLOOD LIGHTS

CATALOG NO.	WATTS	LUMENS	COLOR TEMP	DIMENSIONS
SFX-G5-600W-30D-50K	600W	90000LM	5000K	21.7"(H) x 14.2"(W) x 4.7"(D)
SFX-G5-1000W-30D-50K	1000W	150000LM	5000K	
SFX-G5-SH1			Shroud for 600W	
SFX-G5-SH2			Shroud for 1000W	
SFX-G5-SF			Slip Fitter	
SFX-G5-RB			Rotatable Base	
SFX-POINTER			LED Laser Aiming Device	